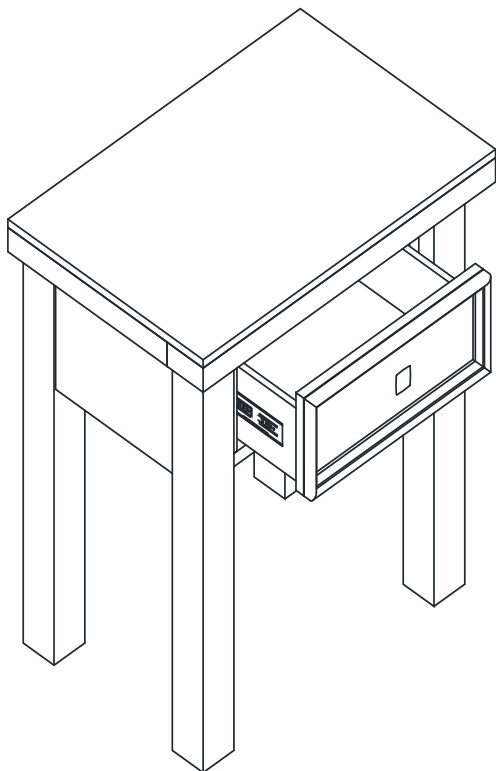


# INSTRUCTION MANUAL

---

# bertini®

## TIMBER LAKE NIGHTSTAND



**Model No:**

BR1407-7

**UPC CODE:**

0-65857-17147-1

**NOTE:**

THIS INSTRUCTION BOOKLET  
CONTAINS **IMPORTANT** SAFETY  
INFORMATION. PLEASE READ AND  
KEEP FOR FUTURE REFERENCE.

**Lot number:**

(TAKEN FROM CARTON)

\_\_\_\_\_

**Date of purchase:**

\_\_\_\_ / \_\_\_\_ / \_\_\_\_

**DO NOT RETURN PRODUCT TO THE STORE.**

If a part is missing or damaged, contact our customer  
service department. We will replace the part **FREE** of  
charge.



Tel #: 1-800-295-1980  
E-Mail: [das@dorel.com](mailto:das@dorel.com)  
Fax #: 514-353-7819

[www.bertinibaby.com](http://www.bertinibaby.com)

## CUSTOMER SERVICE

If you are missing parts or have any questions about this product, contact our customer service representative first!



**CALL 1-800-295-1980**

You can also order parts by writing to the address listed below. Please include the product model number, color and a detailed description of the part.

**Customer Service Department No. 413  
12345 Albert-Hudon Boulevard, Suite 100  
Montreal, Quebec  
Canada H1G 3L1  
E-MAIL: [das@dorel.com](mailto:das@dorel.com)**

## NOTES:

- \* Do not use the nightstand if it is damaged or broken.
- \* To avoid unnecessary damage, **DO NOT** drag across surface when moving. Be sure to lift and carry the item to its location.
- \* Handling will require two people.

## CARE AND CLEANING

Dust regularly with a soft, lint-free cloth to prevent soil build-up. A damp cloth may be used occasionally to clean surface. Dry immediately. Do not use any abrasives that may damage finish. Excessive exposure to sunlight and extreme changes in temperature and moisture can damage wood furniture.

## MAINTENANCE

Check bolts/screws periodically and tighten them if necessary.

## LIMITED WARRANTY

Dorel warrants its product to be free from defects in material and workmanship and agrees to remedy any such defect. This warranty covers 1 year from the date of original purchase. This warranty is valid only upon presentation of proof of purchase. This is solely limited to the repair or replacement of defective furniture components and no assembly labor is included. This warranty does not apply to any product which has been improperly assembled, subjected to misuse or abuse or which has been altered or repaired in any way. This warranty gives you specific legal rights and you may also have other rights which vary from State to State.

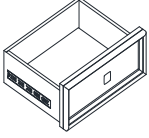

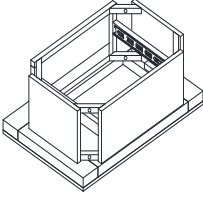


**WARNING: Should this product become damaged, and/or components are broken or missing, DO NOT USE.**





# TIMBER LAKE NIGHTSTAND

## BR1407-7

### PARTS LIST

NO.	Drawing	Description	Q'ty
A		Drawer	1 PC
B		Leg	4 PCS
C		Nightstand Body	1 PC

### HARDWARE LIST

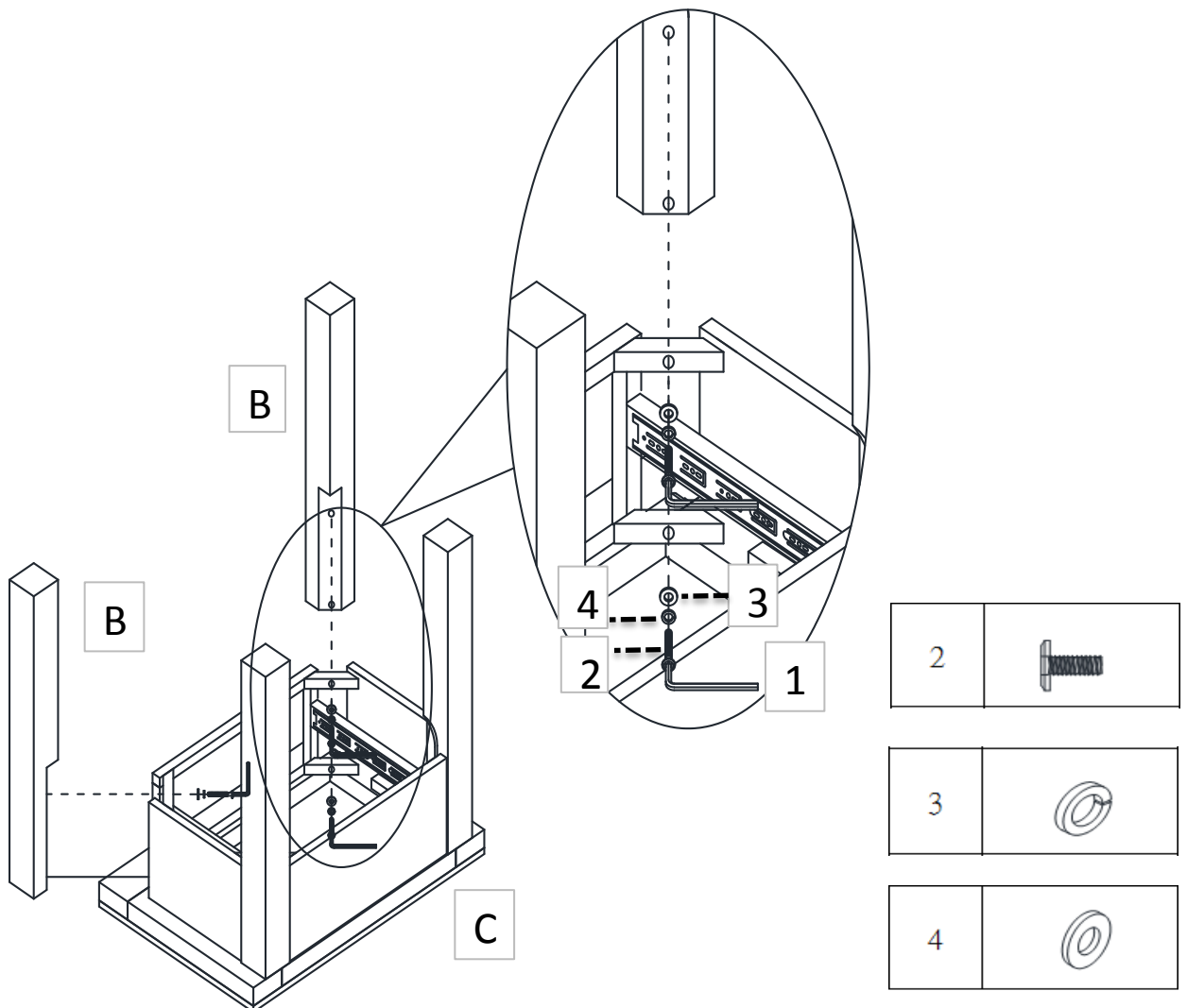
1		Alley Key	1 PC
2	 Ø 1/4" x 15mm x 57mm	Bolt	8 PCS
3	 Ø 1/4" x 11mm x 2mmT	Spring Washer	8 PCS
4	 Ø 1/4" x 18mm x 2mmT	Flat Washer	8 PCS

# TIMBER LAKE NIGHTSTAND

## BR1407-7

### STEP 1:

Attach legs (B) to the nightstand body (C) with bolts (2), spring washers (3) and flat washers (4) using Allen key (1).

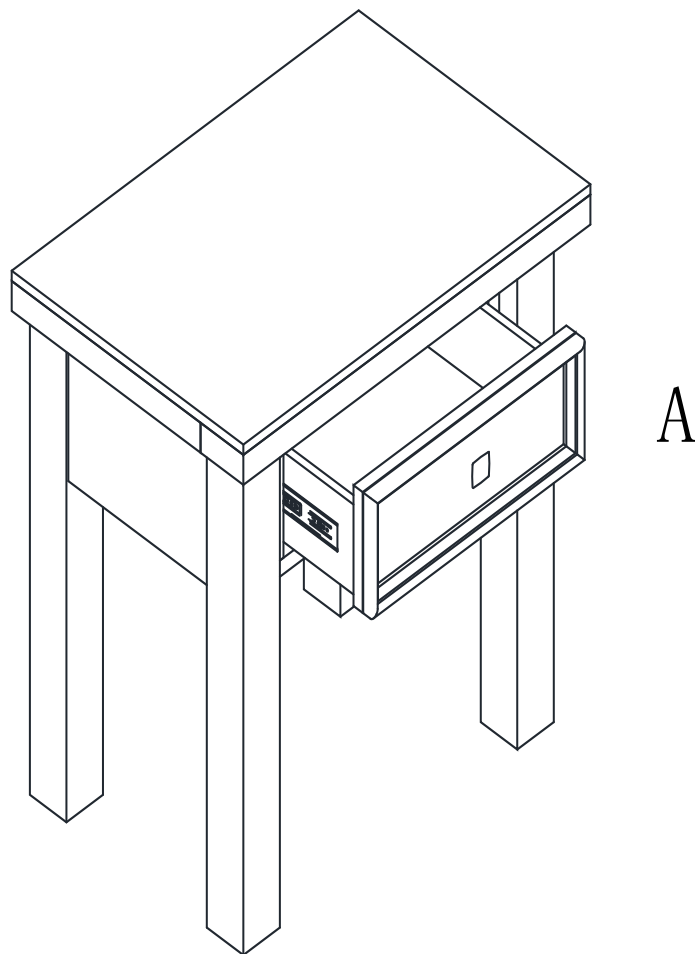


# TIMBER LAKE NIGHTSTAND

## BR1407-7

### STEP 2:

Insert drawer (A) into the nightstand.

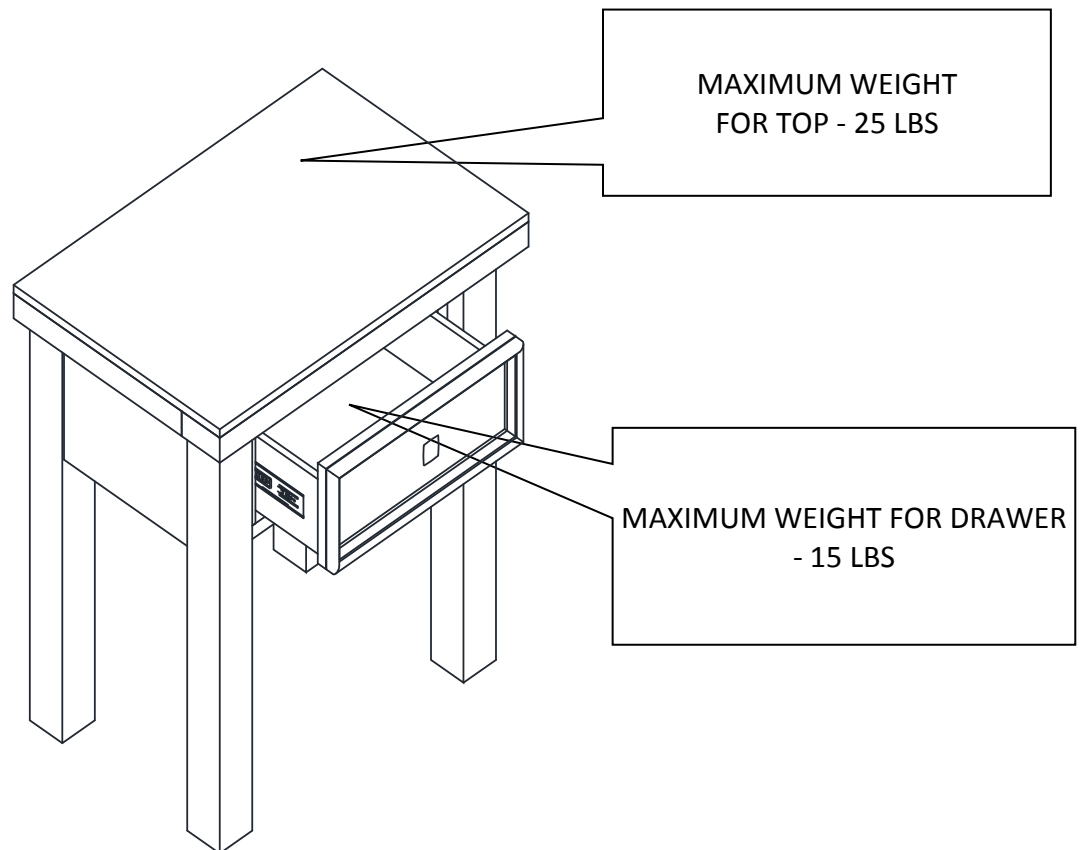


# TIMBER LAKE NIGHTSTAND

## BR1407-7



**CAUTION:** This unit is intended for use only with the products and/or maximum weights indicated. Use with other products and/or products heavier than the maximum weights indicated may result in instability or cause possible injury.



### **DO NOT RETURN PRODUCT TO THE STORE.**

If a part is missing or damaged, contact our customer service department. We will replace the part **FREE** of charge.



Tel #: 1-800-295-1980  
E-Mail: [das@dorel.com](mailto:das@dorel.com)  
Fax #: 514-353-7819



# Customer Service

PLEASE DO NOT RETURN THIS PRODUCT TO THE STORE

PLEASE CONTACT CUSTOMER SERVICE REPRESENTATIVES AT THE FOLLOWING NUMBERS SHOULD YOU HAVE ANY QUESTIONS.

Customer Service Phone Number 1-800-295-1980	Email: das@dorel.com
Customer Service Fax Number 514-353-7819	

Request Date:

Name:

Shipping Address:

Street & Number:

City & State:

Zip Code:

Day Time Phone Number:

(including area code)

Date & Place of Purchase:

Part(s) description and quantity (Please be sure to list model number or SKN number):