

DOREL ASIA

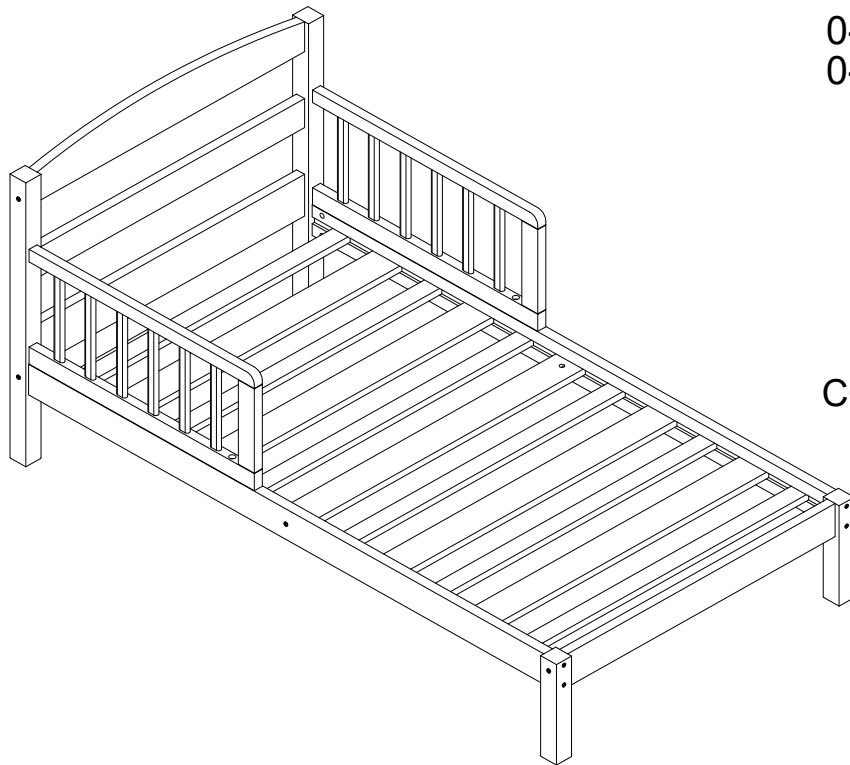


MODEL NO:

DA7750
DA7750W

ESPRESSO
WHITE

TODDLER BED



UPC CODE:

0-65857-17411-3
0-65857-17601-8

ESPRESSO
WHITE

NOTE:

THIS INSTRUCTION BOOKLET
CONTAINS **IMPORTANT** SAFETY
INFORMATION. PLEASE
READ AND KEEP FOR
FUTURE REFERENCE.

LOT NUMBER:

(TAKEN FROM CARTON)

DATE OF PURCHASE:

____ / ____ / ____



DO NOT RETURN PRODUCT TO THE STORE.
If a part is missing or damaged, Contact our
customer service department. We will
replace the part FREE of charge.



Tel # : 1-800-295-1980
E-Mail: das@dorel.com
Fax #: 514-353-7819

CUSTOMER SERVICE

If you are missing parts or have any questions about this product, contact our customer service representative first!



CALL 1-800-295-1980

You can also order parts by writing to the address listed below. Please include the product model number, color and a detailed description of the part.

**Customer Service Department No. 413
12345 Albert-Hudon Boulevard, Suite 100
Montreal, Quebec
Canada, H1G 3L1**

E-MAIL: das@dorel.com



WARNING ENTRAPMENT/ STRANGULATION HAZARD:

- * Infants have died in toddler beds from entrapment and strangulation.
- * Failure to follow these warnings and assembly instructions could result in serious injury or death from entrapment or strangulation.
- * NEVER use bed with children under 15 months.
- * The TODDLER BED is not intended for children under 15 months of age or over 50 pounds (22.7kg).
- * If guardrails are used as the mattress containment means, guardrail(s) provided must be used to avoid the formation of a gap between the mattress and the bed that could cause an entrapment.
- * DO NOT place TODDLER BED near windows where cords from blinds or drapes may strangle a child.
- * DO NOT place items with a string, cord, or ribbon around a child's neck, such as hood strings or pacifier cords.
- * DO NOT suspend strings over a toddler bed for any reason.
- * Any mattress used must be at least 27-1/4 inches by 51-5/8 inches (69cm by 131cm) with a minimum thickness of 4 inches (10cm) and not exceeding 6 inches (15cm).

NOTES

- * Ensure all parts and components are present before beginning assembly.
- * Phillips head screwdriver is not included.
- * Assembly will require 2 people.
- * Estimated assembly time: 45 minutes.
- * DO NOT use power tools.
- * **Caution:** Adult assembly required.
- * DO NOT lift bed from side rails when moving. Raise from headboard and footboard when moving bed.

CARE AND CLEANING

Dust regularly with a soft, lint-free cloth to prevent soil build-up. A damp cloth may be used occasionally to clean surface. Dry immediately. Do not use any abrasives that may damage finish. Excessive exposure to sunlight and extreme changes in temperature and moisture can damage wood furniture.

MAINTENANCE

Check bolts periodically and tighten if necessary.

LIMITED WARRANTY

Dorel warrants its product to be free from defects in material and workmanship and agrees to remedy any such defect. This warranty covers 1 year from the date of original purchase. This warranty is valid only upon presentation of proof of purchase. This is solely limited to the repair or replacement of defective furniture components and no assembly labor is included. This warranty does not apply to any product which has been improperly assembled, subjected to misuse or abuse or which has been altered or repaired in any way. This warranty gives you specific legal rights and you may also have other rights which vary from State to State.

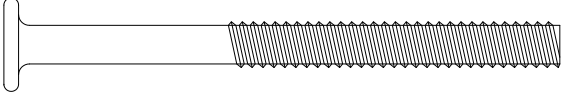
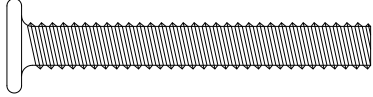
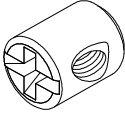

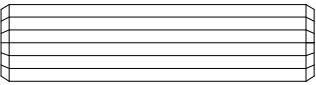
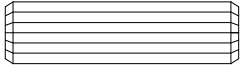


WARNING: Should this product become damaged, and/or components are broken or missing, DO NOT USE.

TODDLER BED


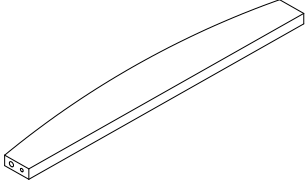
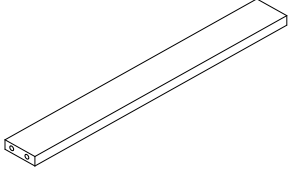
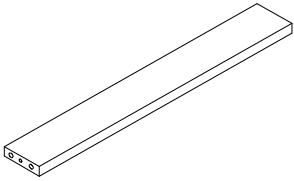

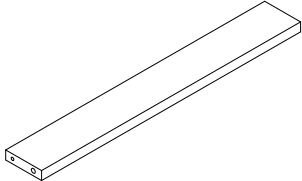
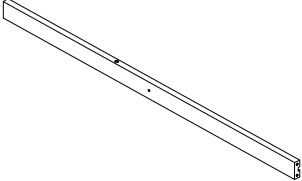
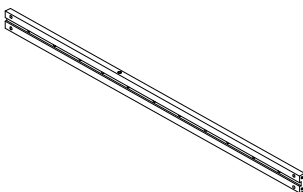
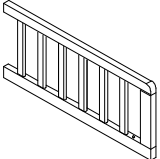
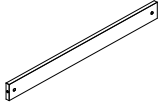
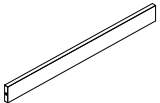
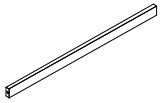
DA7750/DA7750W

HARDWARE LIST

<p>1</p>  <p>$\text{Ø}1/4" \times 2-3/4"$</p>	<p>2</p>  <p>$\text{Ø}1/4" \times 1-3/4"$</p>
<p>BOLT 20 PCS</p>	<p>BOLT 2 PCS</p>
<p>3</p>  <p>$\text{Ø}1/4" \times 1/2"$</p>	<p>4</p>  <p>4MM</p>
<p>BARREL NUT 10 PCS</p>	<p>ALLEN KEY 1 PC</p>
<p>5</p>  <p>$\text{Ø}10\text{mm} \times 40\text{mm}$</p>	<p>6</p>  <p>$\text{Ø}8\text{mm} \times 30\text{mm}$</p>
<p>WOOD DOWEL 12 PCS</p>	<p>WOOD DOWEL 20 PCS</p>

TODDLER BED DA7750/DA7750W

PARTS LIST

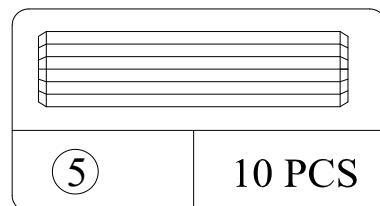
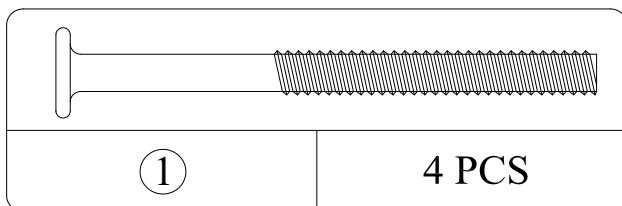
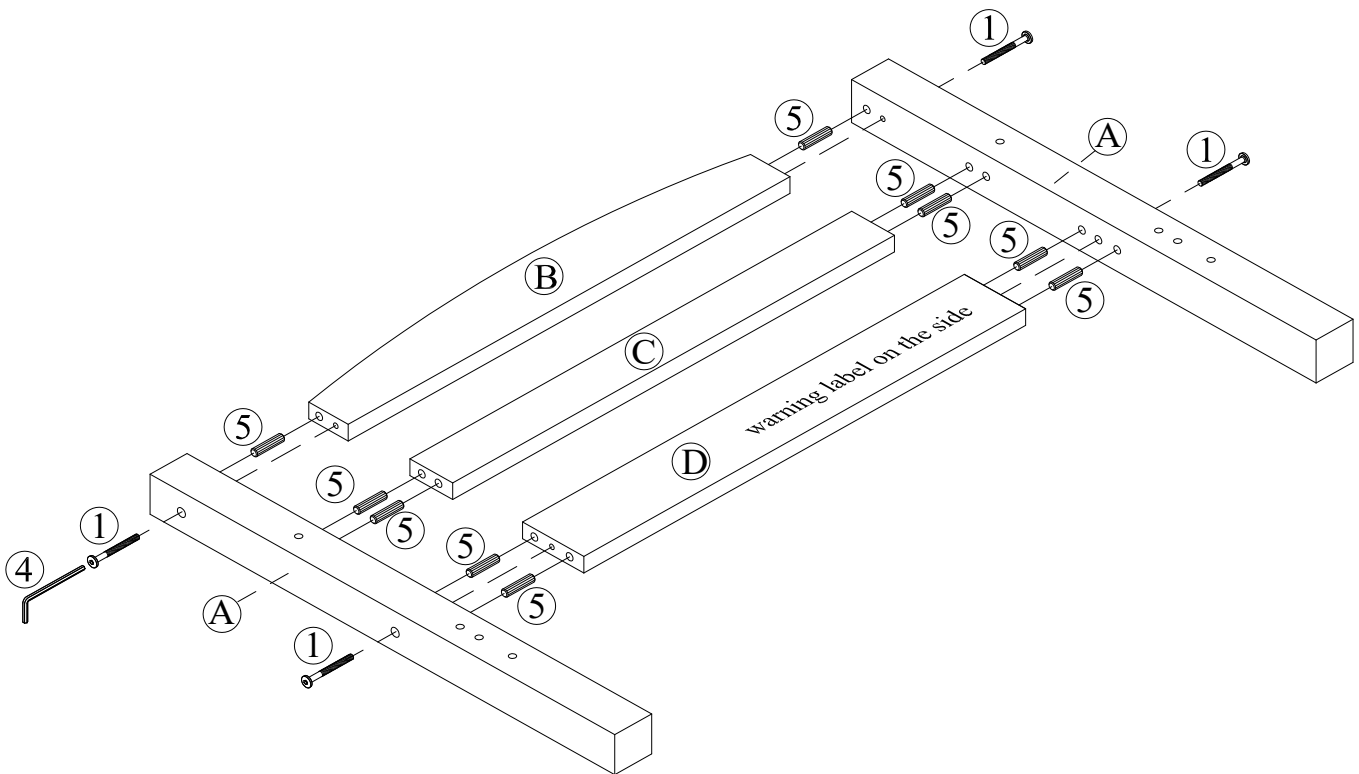
<p>A</p> 	<p>B</p> 	<p>C</p> 
<p>HEADBOARD POST 2 PCS</p>	<p>TOP PANEL 1 PC</p>	<p>MIDDLE PANEL 1 PC</p>
<p>D</p> 	<p>E</p> 	<p>F</p> 
<p>BOTTOM PANEL 1 PC</p>	<p>FOOTBOARD POST 2 PCS</p>	<p>FOOTBOARD PANEL 1 PC</p>
<p>G</p> 	<p>H</p> 	<p>I</p> 
<p>LEFT SIDE RAIL 1 PC</p>	<p>RIGHT SIDE RAIL 1 PC</p>	<p>GUARDRAIL 2 PCS</p>
<p>J</p> 	<p>K</p> 	<p>L</p> 
<p>CENTER SUPPORT SLAT 1 PC</p>	<p>WIDE SUPPORT SLAT 4 PCS</p>	<p>NARROW SUPPORT SLAT 6 PCS</p>

TODDLER BED DA7750/DA7750W

STEP 1

Insert the wood dowel (5) into top panel (B), middle panel (C) and bottom panel (D). Attach panels (B, C & D) to the headboard posts (A) as shown below using bolt (1) and Allen key (4).

NOTE: Do not fully tighten the bolts. Leaving the bolts loose will facilitate assembly in the following steps.

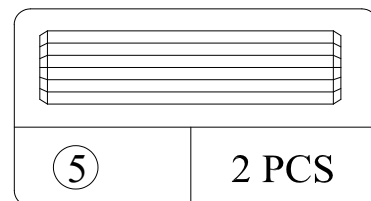
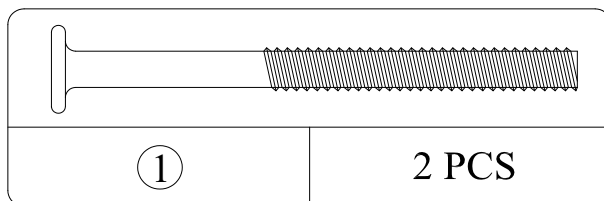
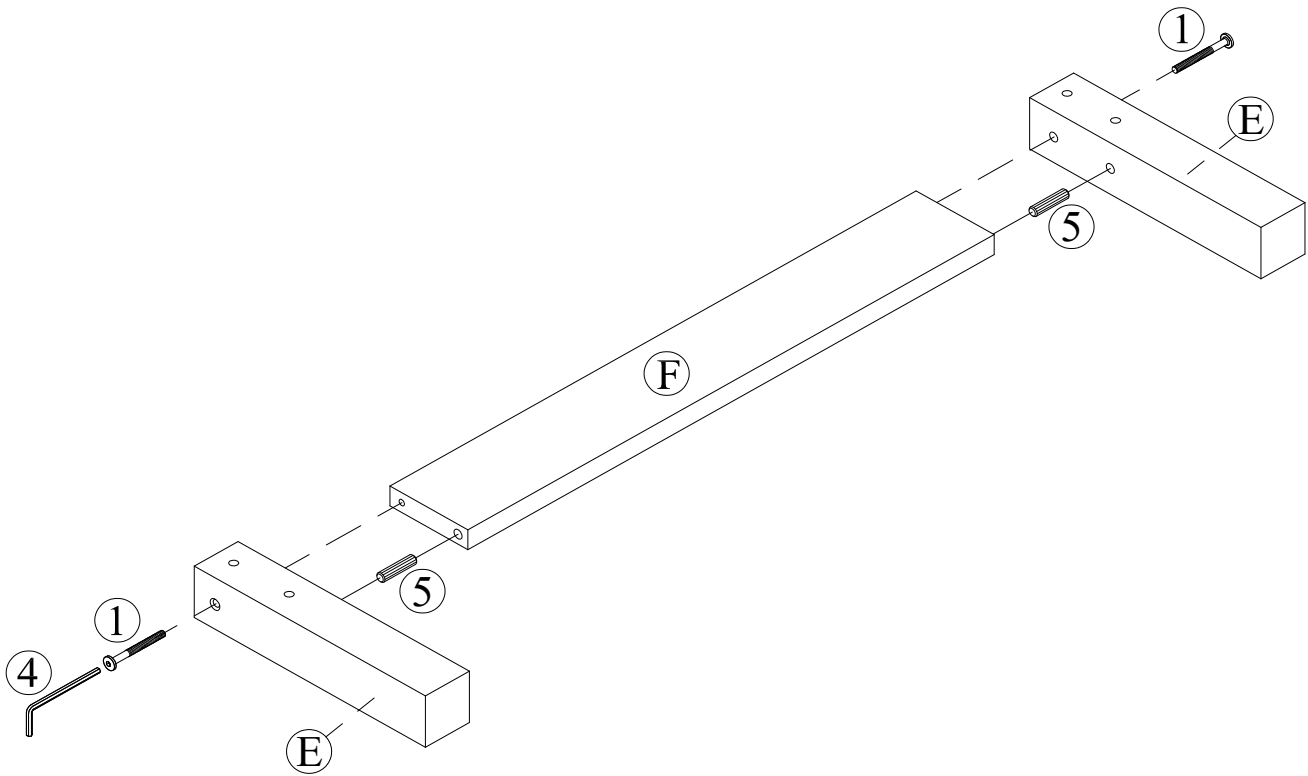


TODDLER BED DA7750/DA7750W

STEP 2

Insert the wood dowels (5) to the footboard panel (F).

Attach footboard panel (F) to the footboard posts (E) using bolt (1) and Allen key (4) as shown below.



TODDLER BED

DA7750/DA7750W

STEP 3

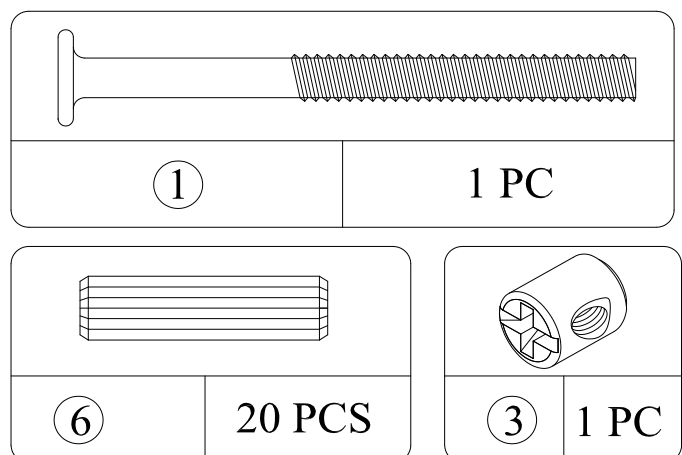
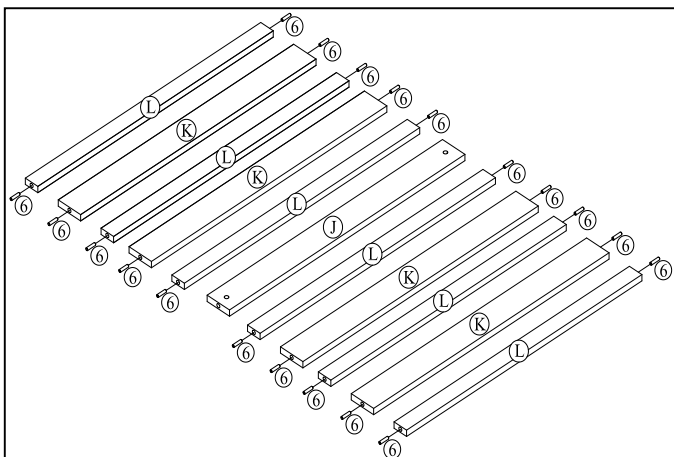
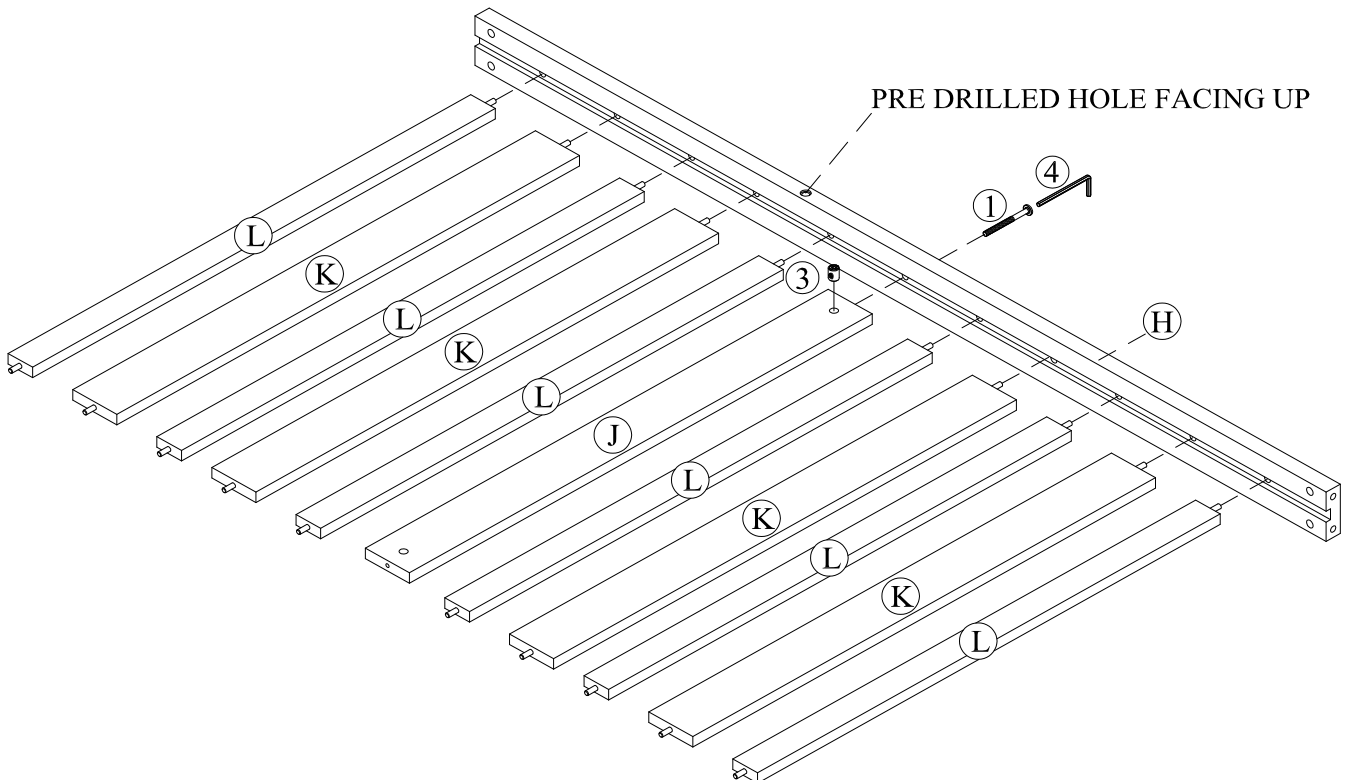
Insert wood dowels (6) into both ends of narrow support slats (L) and wide support slats (K) as shown.

Insert barrel nut (3) into the hole on center support slat (J). Ensure the barrel nut (3) is flush with center support slat (J).

Attach the center support slat (J) to the right side rail (H) by inserting bolt (1) through the right side rail (H) and into the barrel nut (3). Use Allen key (4) to tighten the bolt (1).

Insert the wide and narrow support slats (K & L) into the grooves of the right side rail (H). Ensure the dowels in the slats go into the holes on the side rail.

NOTE: Barrel nut (3) can be rotated using a screwdriver (not included) to properly align with the bolt coming through side rail (H).



TODDLER BED DA7750/DA7750W

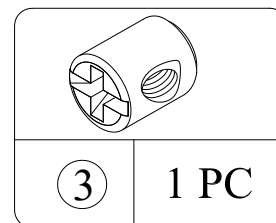
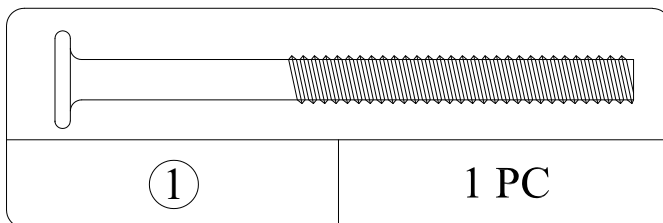
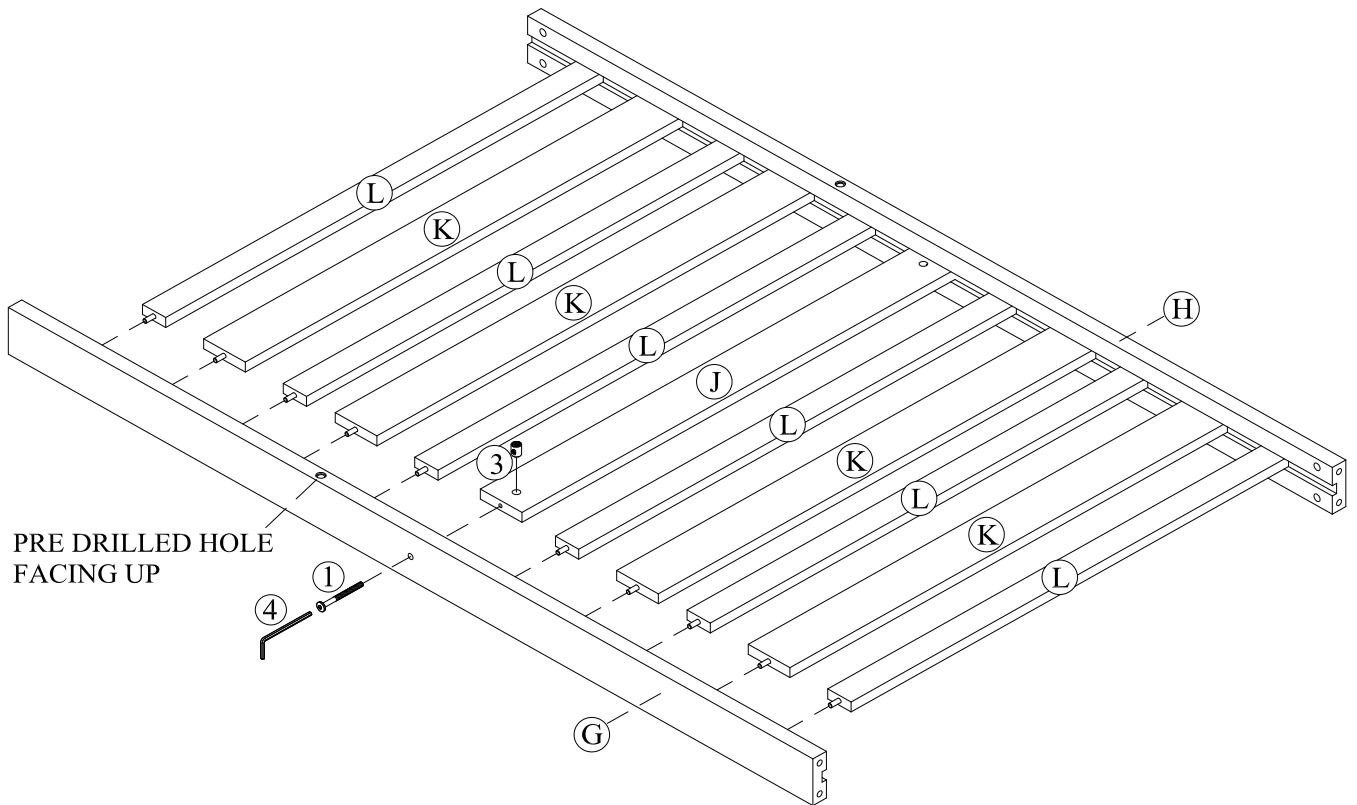
STEP 4

Insert barrel nut (3) into the other end of center support slat (J). Ensure the barrel nut (3) is flush with center support slat (J).

Attach the left side rail (G) to slats (K, L & J). Secure center support slat (J) to left side rail (G) with bolts (1) and Allen key (4).

NOTE: The barrel nut (3) can be rotated using a screwdriver (not included) to properly align with the bolt coming through left side rail (G).

Use Allen Key (4) to tighten the bolts (1) installed in Step 3 & 4.



TODDLER BED

DA7750/DA7750W

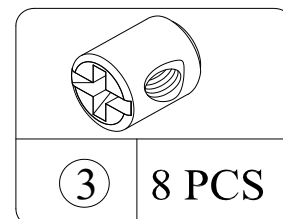
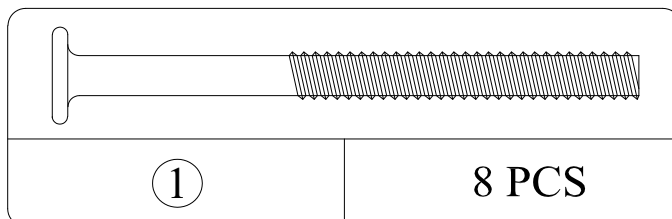
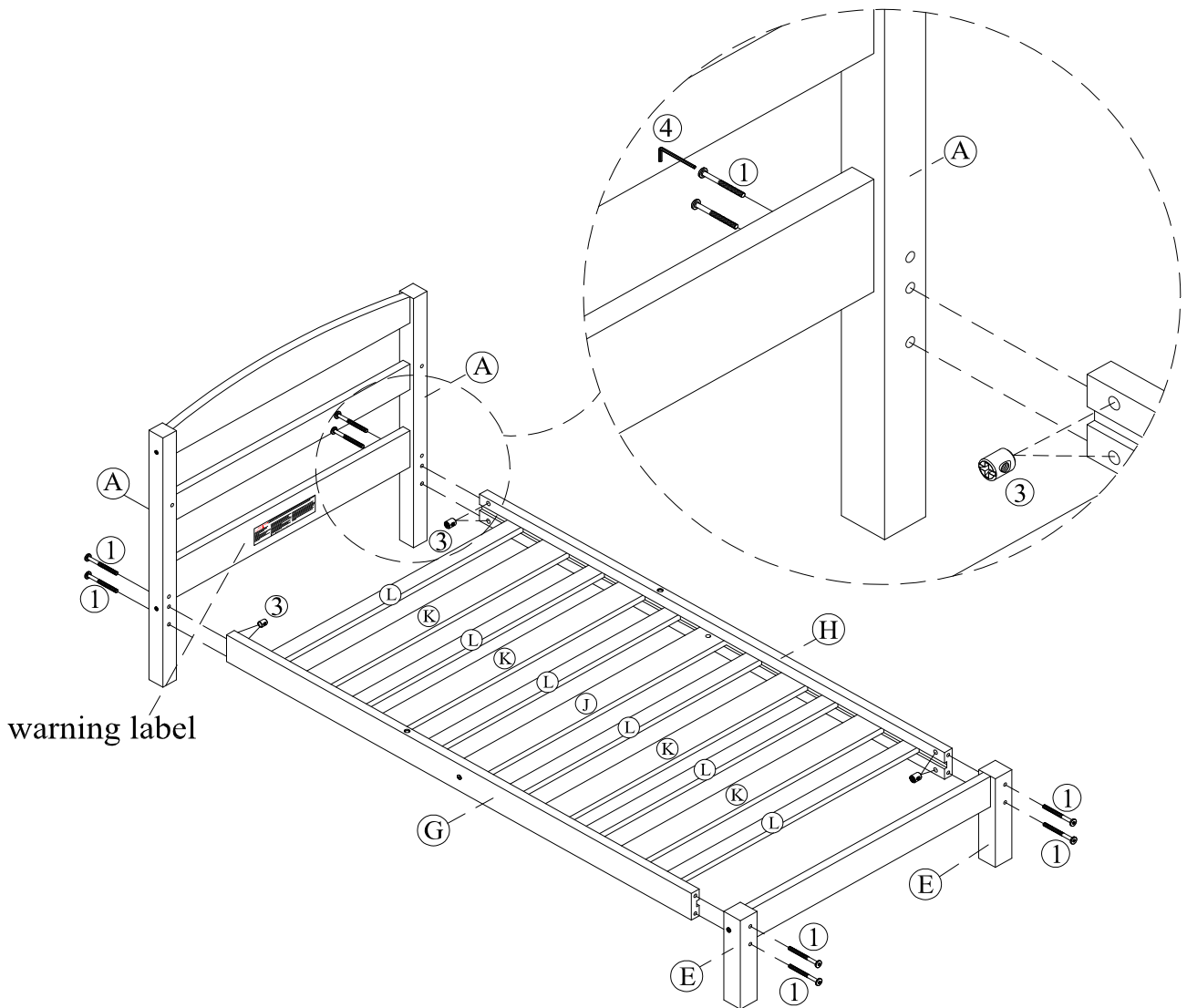
STEP 5

Insert barrel nuts (3) into both ends of the left and right side rail (G & H).

Attach the headboard and footboard to the left and right side rail (G & H) by inserting bolts (1) through the headboard posts (A) and footboard posts (E).

Use Allen key (4) to install bolts.

NOTE: Do not fully tighten the bolts. This will facilitate assembly in the following steps.



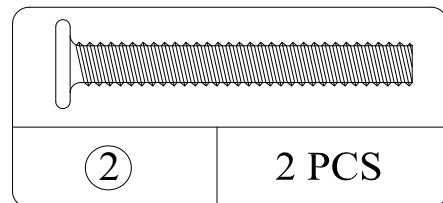
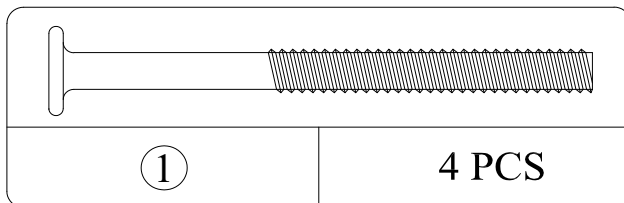
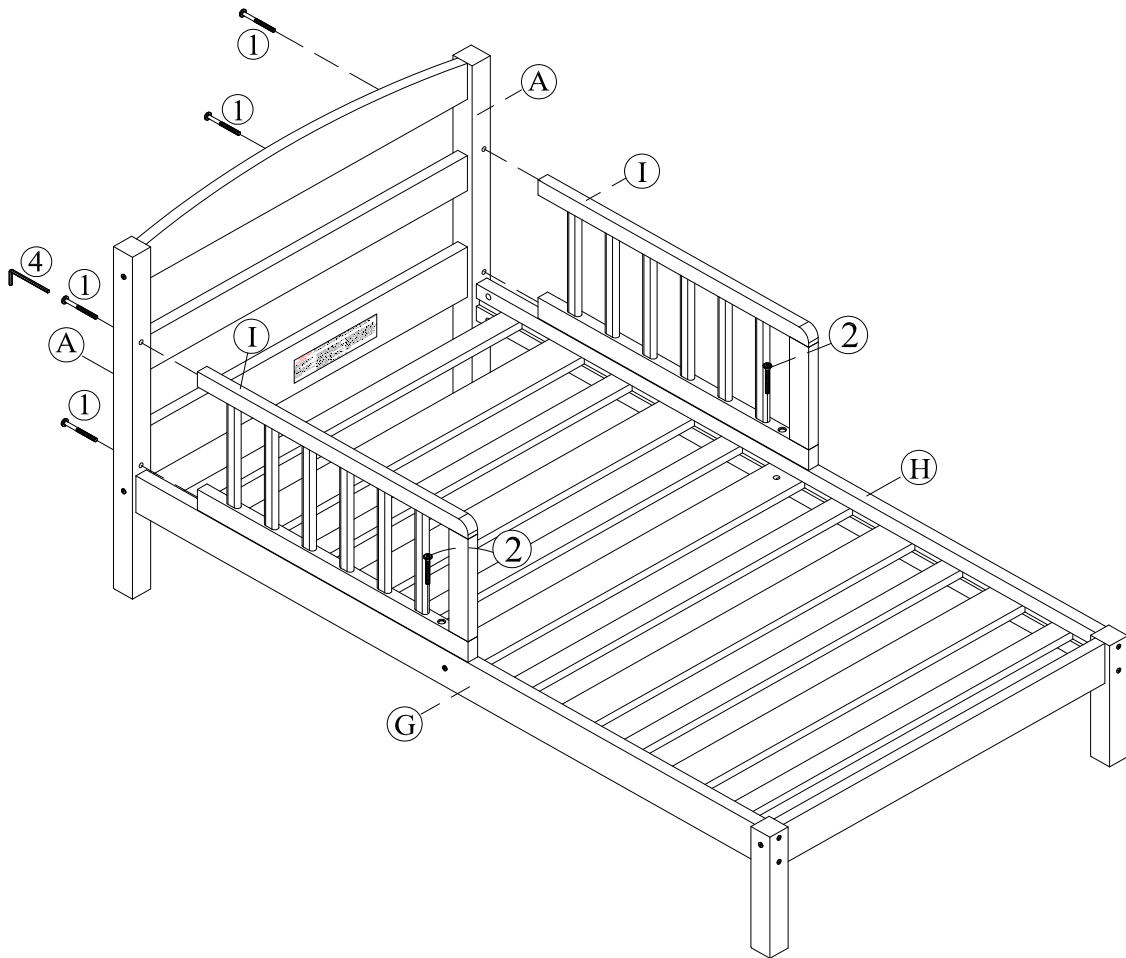
TODDLER BED DA7750/DA7750W

STEP 6


Attach guardrail (I) to headboard posts (A) with bolts (1).

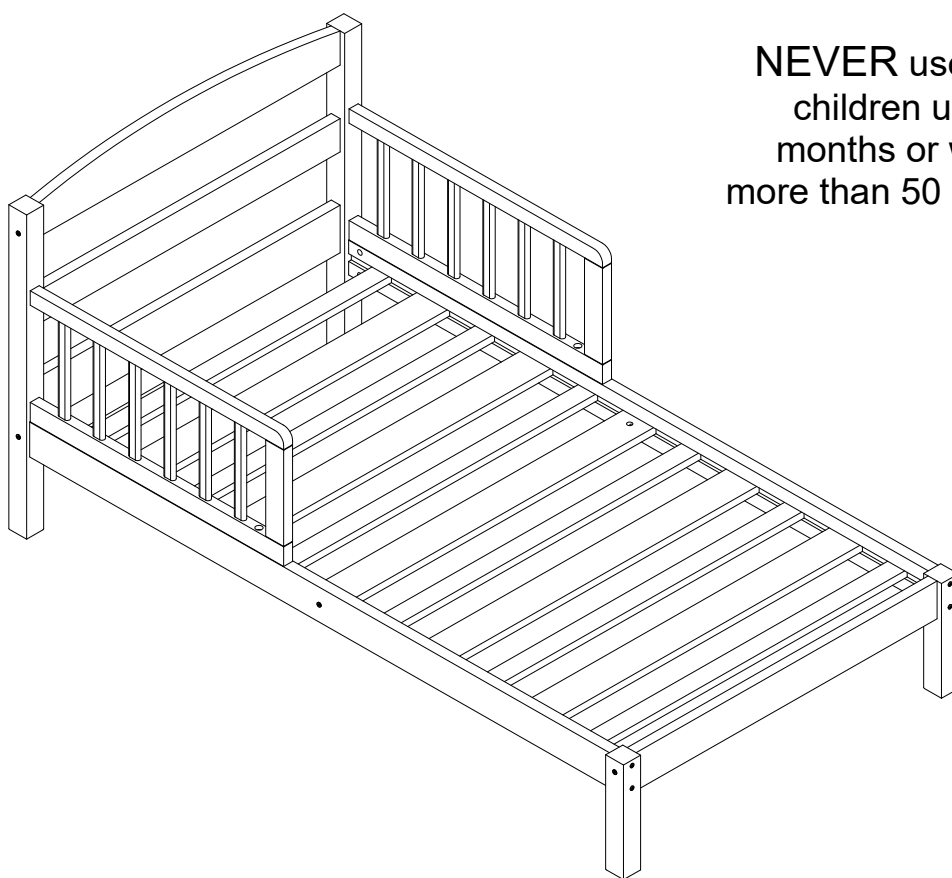
Secure the guardrail (I) to the left and right side rails (G & H) with bolts (2) as shown. Use Allen key (4) to tighten the bolts.

NOTE: Fully tighten all bolts installed in previous steps.



TODDLER BED DA7750/DA7750W

 **CAUTION:** This unit is intended for use only with the products and/or maximum weights indicated. Use with other products and/or products heavier than the maximum weights indicated may result in instability or cause possible injury.



NEVER use bed with children under 15 months or weighing more than 50 lbs (22.7kg)

That's it ! You've finished assembling your toddler bed.

DO NOT RETURN PRODUCT TO THE STORE. If a part is missing or damaged, Contact our customer service department. We will replace the part **FREE** of charge.



Tel # : 1-800-295-1980
E-Mail: das@dorel.com
Fax # : 514-353-7819

Customer Service

PLEASE DO NOT RETURN THIS PRODUCT TO THE STORE

PLEASE CONTACT CUSTOMER SERVICE REPRESENTATIVES AT THE FOLLOWING NUMBERS SHOULD THERE BE ANY MISSING OR DEFECTIVE PART(S).

Customer Service Phone Number 1-800-295-1980

Email: das@dorel.com

Customer Service Fax Number 514-353-7819

Request Date:

Name:

Shipping Address:

Street & Number:

City & State:

Zip Code:

Day Time Phone Number:

(including area code)

Date & Place of Purchase:

Part(s) description and quantity: (Please be sure to list model number or SKN number)

Customer Service Representative Mailing Address:

Customer Service Department No. 413, 12345 Albert-Hudon Boulevard, Suite 100, Montreal, QC, Canada, H1G 3L1